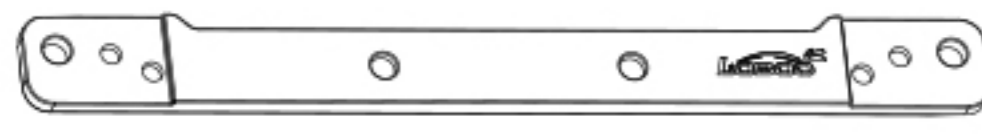


BMW R1250GS Adventure Auxiliary Lights Mount

Installation Accessories List

Model: CDJ082C

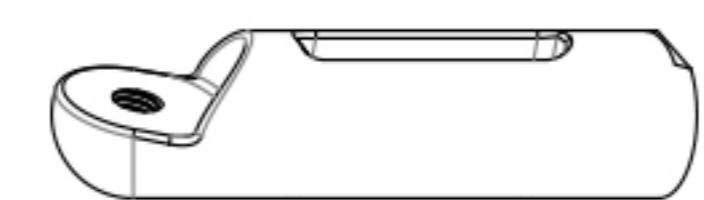
①



Quantity: 1 piece

082C Lights mount fixing part 1

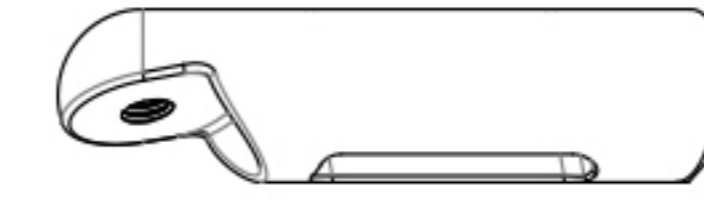
②



Quantity: 1 piece

082C Lights mount fixing part left

③



Quantity: 1 piece

082C Lights mount fixing part right

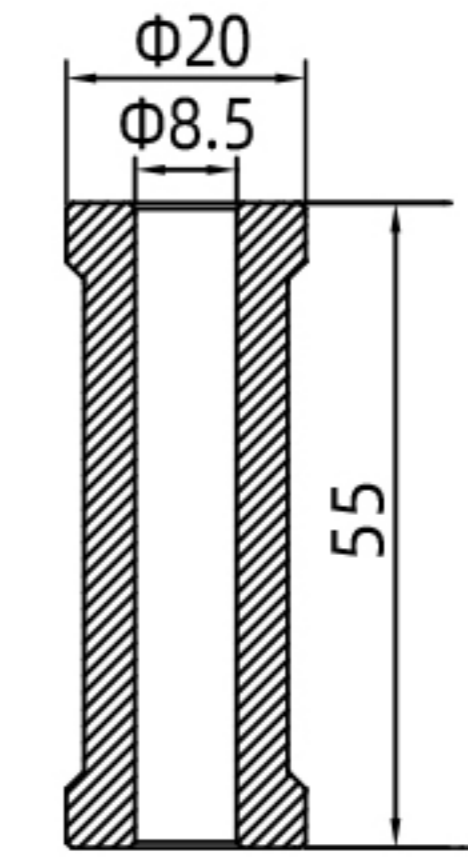
④



Quantity: 2 pieces

082C Lights mount fixing part 2

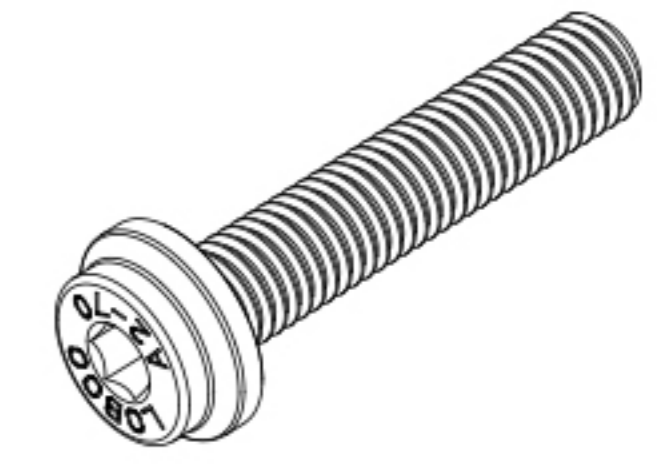
⑤



Quantity: 2 pieces

Outer Diameter: 20mm
Inner Diameter: 8.5mm
Height: 55mm

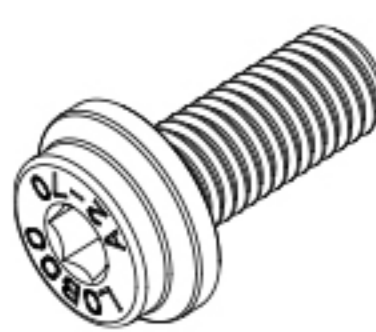
⑥



Quantity: 2 pieces

M8 x 75
Torque: 18N-m

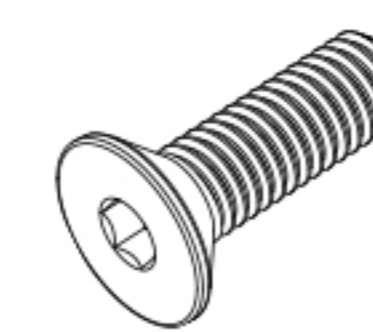
⑦



Quantity: 2 pieces

M8 x 20
Torque: 18N-m


⑧



Quantity: 2 pieces

M8 x 20
Torque: 18N-m
(Used for fixing the horn)

⑨



Quantity: 4 pieces

M6 x 16
Torque: 10N-m

⑩



Quantity: 2 pieces

M8 x 18
Torque: 20N-m
(Used for fixing auxiliary lights)

⑪



Quantity: 2 pieces

M8 x 16
Torque: 20N-m
(Used for fixing auxiliary lights)

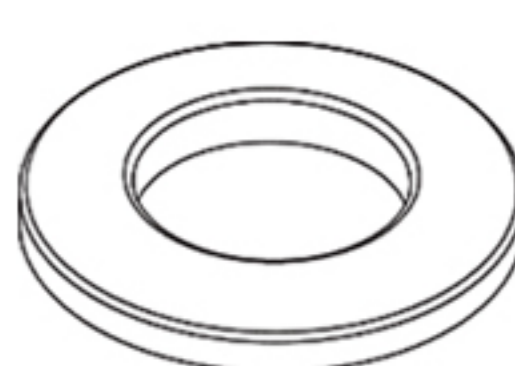
⑫



Quantity: 2 pieces

M6 x 16
Torque: 10N-m
(Used for fixing auxiliary lights)

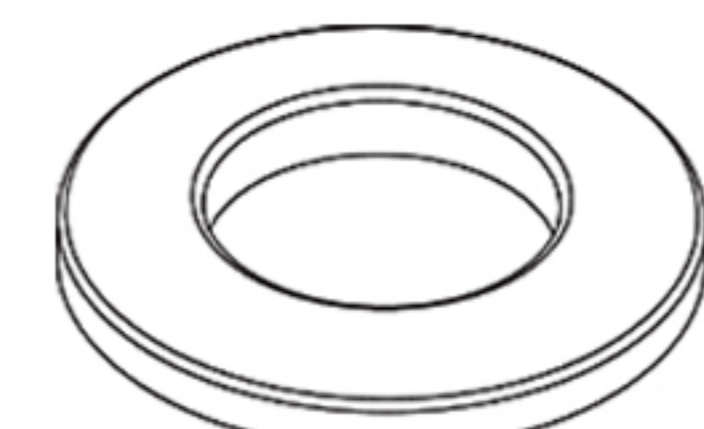
⑬



Quantity: 2 pieces

M6 gaskets
(Used for fixing auxiliary lights)

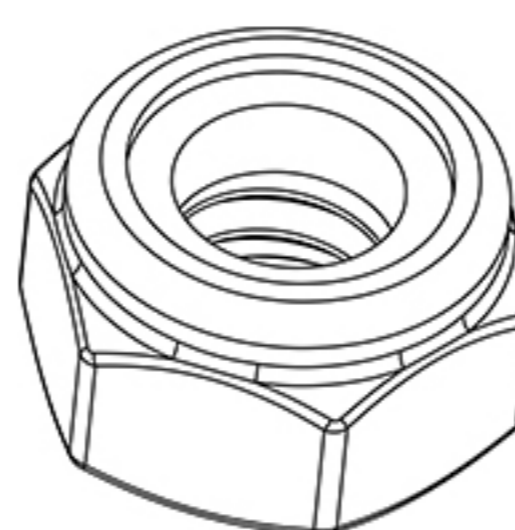
⑭



Quantity: 8 pieces

M8 gaskets

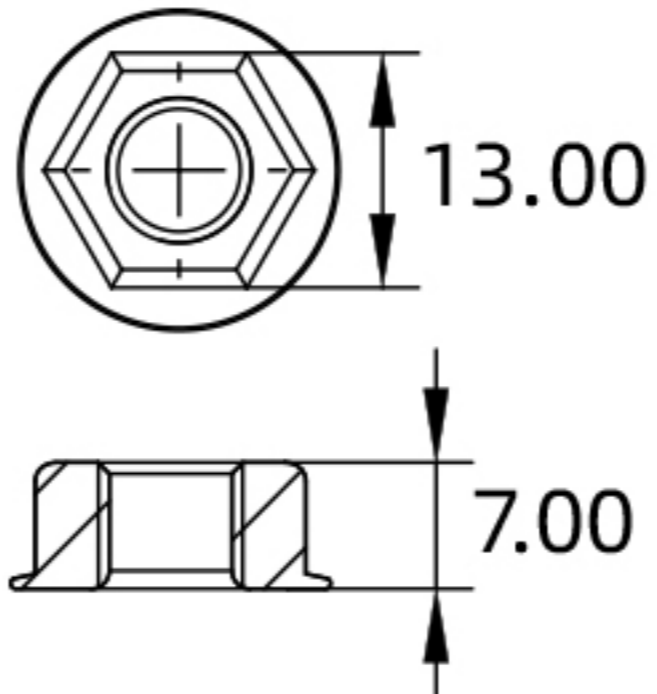
⑮



Quantity: 2 pieces

M8 lock nut
(Used for fixing the horn)

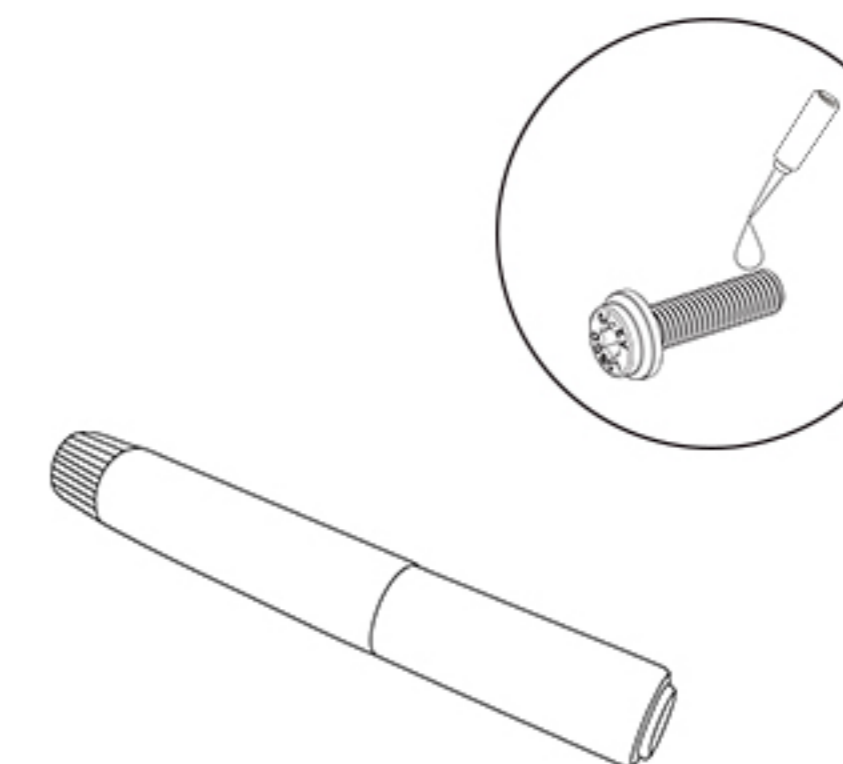
⑯



Quantity: 2 pieces

M8 flange nut

⑰



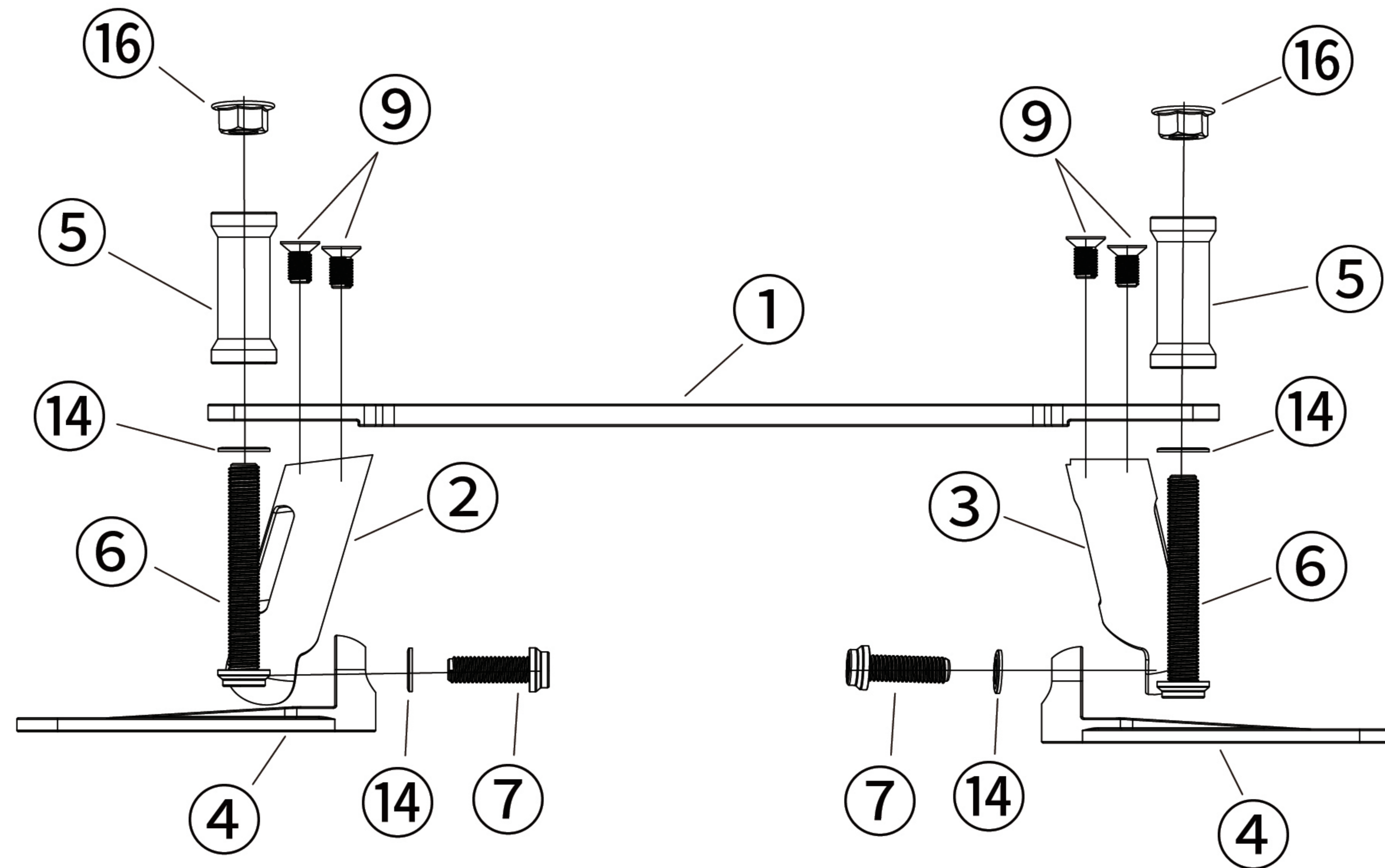
Quantity: 1 piece

Screw glue



Please Scan the code to watch the installation video

BMW R1250 Adventure Auxiliary Lights Mount Installation Diagram Model: CDJ082C



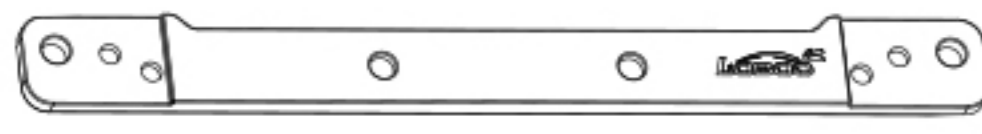
Notes:

1. Please read the installation instructions before installation.
2. When installing each component, do not tighten the fixing screws immediately. After all components are installed, apply a suitable amount of thread locker to each screw, and then tighten all screws. Pay attention to the torque requirements for each screw (refer to the accessory table above).
3. Regularly check the fixing screws of each part.

BMW R1250GS ADV 辅助灯支架安装配件表

型号：CDJ082C

①



数量：1 件

082C 雾灯支架
固定件 1

②



数量：1 件

082C 雾灯支架
固定件左

③



数量：1 件

082C 雾灯支架
固定件右

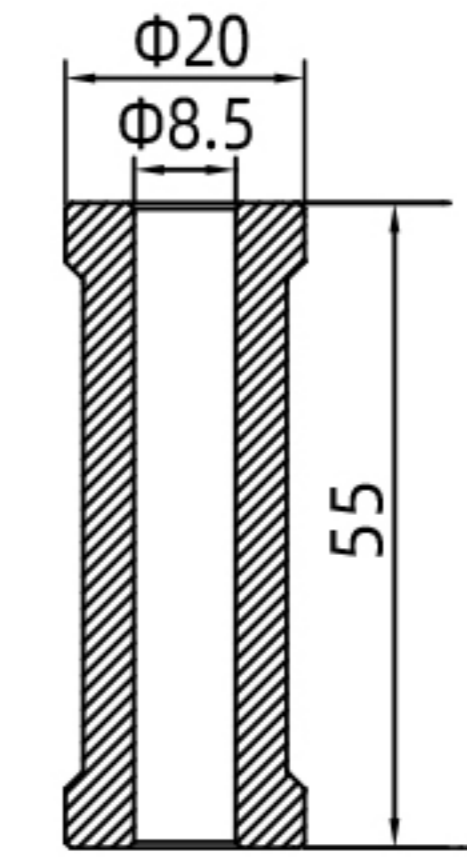
④



数量：2 件

082C 雾灯支架
固定件 2

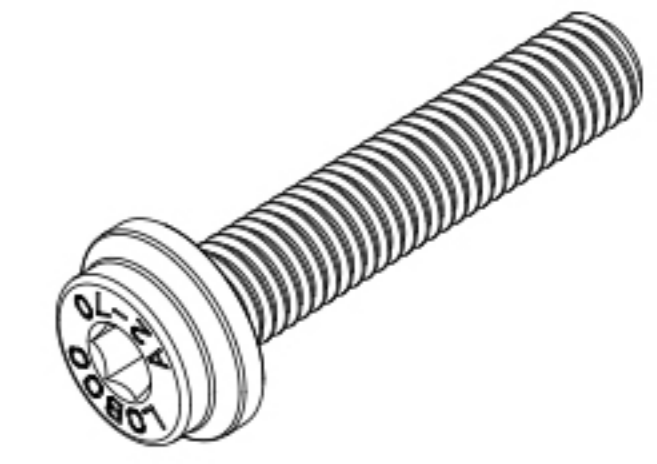
⑤



数量：2 件

外径：20mm
内径：8.5mm
高度：55mm

⑥



数量：2 件

M8×75
扭力：18N·m

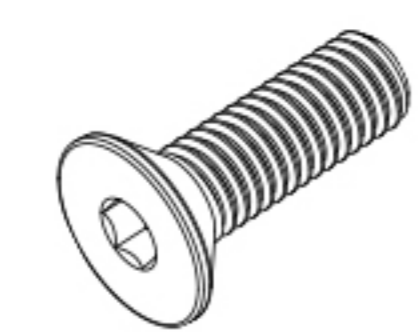
⑦



数量：2 件

M8×20
扭力：18N·m

⑧



数量：2 件

M8×20
扭力：18N·m
(用于固定喇叭)

⑨



数量：4 件

M6×16
扭力：10N·m

⑩



数量：2 件

M8×18
扭力：20N·m
(用于固定辅助灯)

⑪



数量：2 件

M8×16
扭力：20N·m
(用于固定辅助灯)

⑫



数量：2 件

M6×16
扭力：10N·m
(用于固定辅助灯)

⑬



数量：2 件

M6 垫片
(用于固定辅助灯)

⑭



数量：8 件

M8 垫片

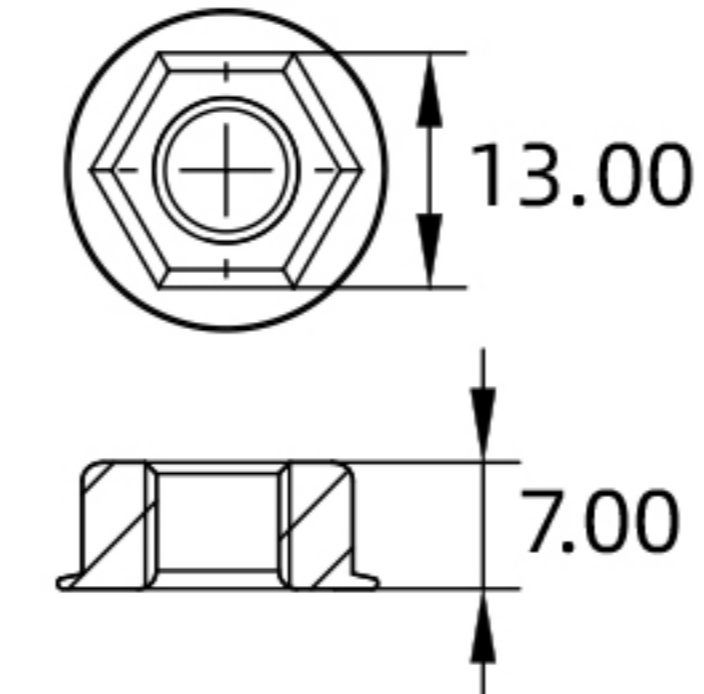
⑮



数量：2 件

M8 防松螺母
(用于固定喇叭)

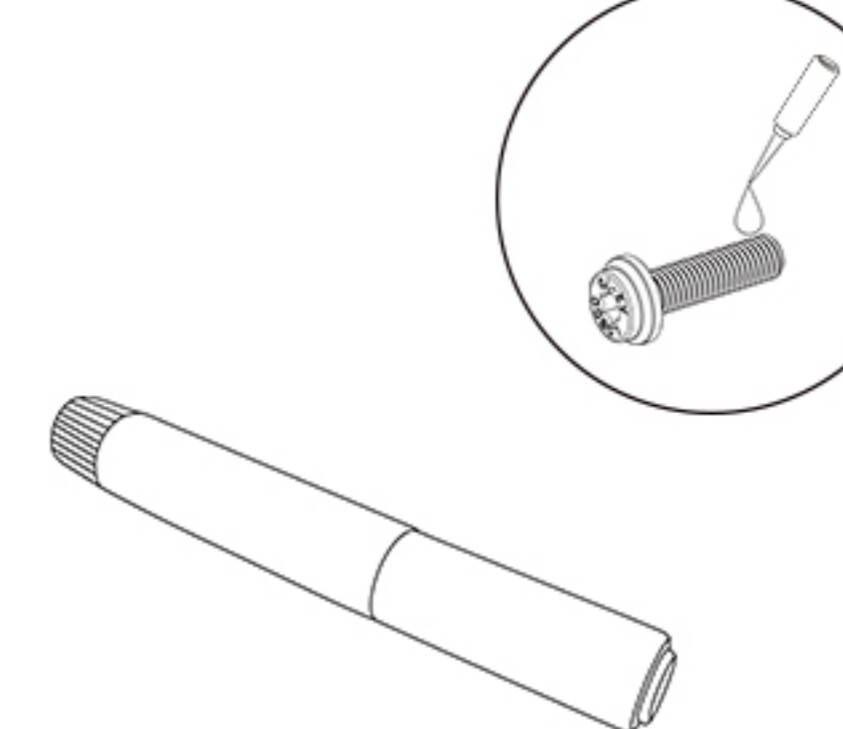
⑯



数量：2 件

M8 法兰头螺母

⑰



数量：1 件

螺丝胶

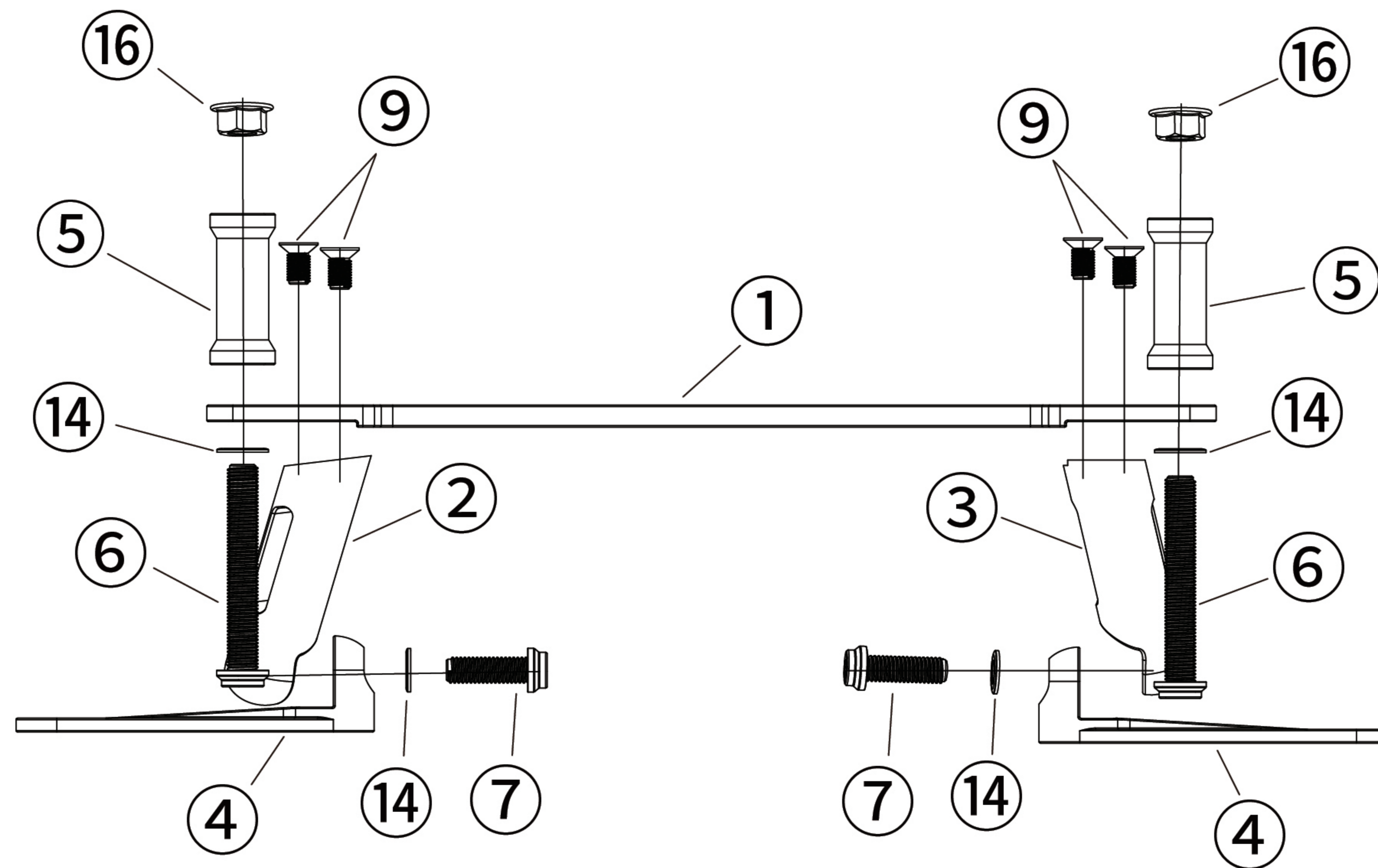


请扫码观看安装视频

BMW R1250GS ADV

辅助灯支架安装图示

型号：CDJ082C



注意事项：

- 1、安装前请仔细阅读安装说明。
- 2、每个部件依次安装时先不要拧紧固定螺丝，各部件安装完毕后适量涂上螺丝胶再将全部螺丝拧紧，注意每个螺丝的扭力要求（详见配件表）。
- 3、定期检查各部件固定螺丝。